

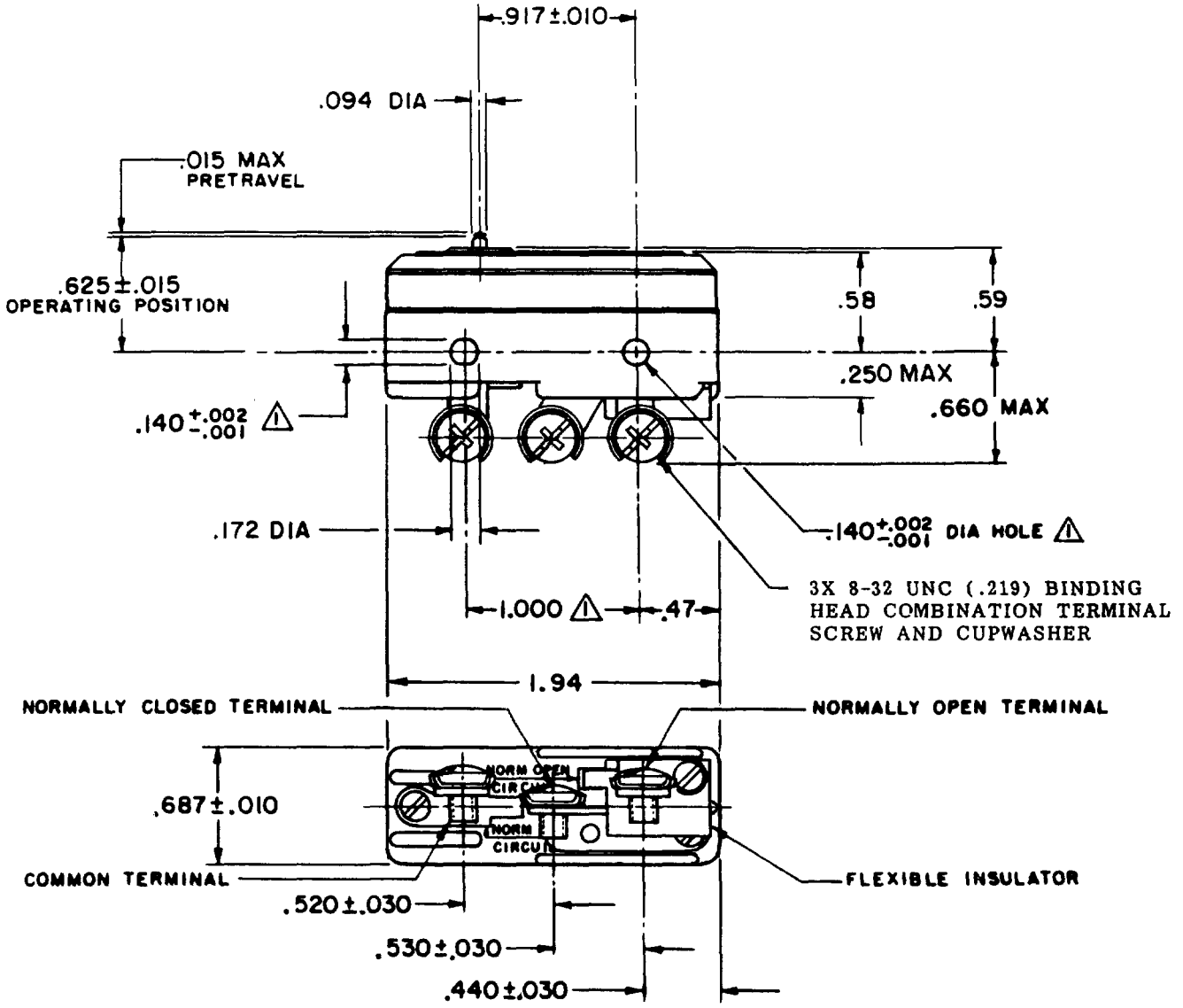


MICRO SWITCH
 FREEPORT, ILLINOIS, U.S.A.
 A DIVISION OF HONEYWELL
 FED. MFG. CODE 91929

SWITCH - BASIC

CATALOG LISTING
BZ - 2R - P1

BZ - 2R - P1
 PAGE 1 OF 1
M
 DRAWING NUMBER
 ISSUE 13
 REVISIONS
 A CO17410
 S R H
 13 APRIL 63
 B CO31863
 S R H
 27 MAR 73
 C 58037
 S M A
 1 OCT 85
 D 73287-G
 J A T
 20 OCT 93
 E 77591
 D A W
 22 JUN 94
 F CO93346
 D L T
 1 SEP 98
 G CO-94212-C
 D L T
 14 SEP 99
 FORMTEK
 FO-50376
 DRAWN
 G C H 13 APRIL 63
 CHECK
 L.S.D. 23 APR '63
 CHECK
 REPLACES
 RELEASE NO.



NOTE
 ▲ - MOUNTING HOLES WILL ACCEPT PINS OR SCREWS OF $.139$ MAX DIA ON $1.000 \pm .002$ CENTERS

THIS DRAWING COVERS A PROPRIETARY ITEM AND IS THE PROPERTY OF MICRO SWITCH, A DIVISION OF MINNEAPOLIS-HONEYWELL REGULATOR CO. THIS DRAWING IS NOT TO BE COPIED OR USED WITHOUT THE APPROVAL OF MICRO SWITCH.

CHARACTERISTICS	ELECTRICAL DATA	SCALE FULL
OPERATING FORCE ----- 9 - 13 OZ	CONTACT ARRANGEMENT S P D - T	DO NOT SCALE PRINT
RELEASE FORCE ----- 4 OZ MIN	UNDERWRITERS' LAB, INC. LISTED RATING 15A - 125, 250 OR 480 VAC, 2A - 800 VAC 1/8HP - 125 VAC; 1/4HP - 250 VAC 1/2A - 125 VDC; 1/4A - 250 VDC	UNLESS OTHERWISE NOTED DIMENSIONS ARE IN INCHES TOLERANCES ARE:
DIFFERENTIAL TRAVEL ----- .0004 - .0020	-L74- -L288- -L299- -L306-	ONE PLACE (.0) $\pm .030$ TWO PLACE (.001) $\pm .015$ THREE PLACE (.000) $\pm .005$ ANGLES \pm
OVERTRAVEL ----- .005 MIN	CE D SP 16A 250V ~ T85 5E4	WEIGHT .075 LB